

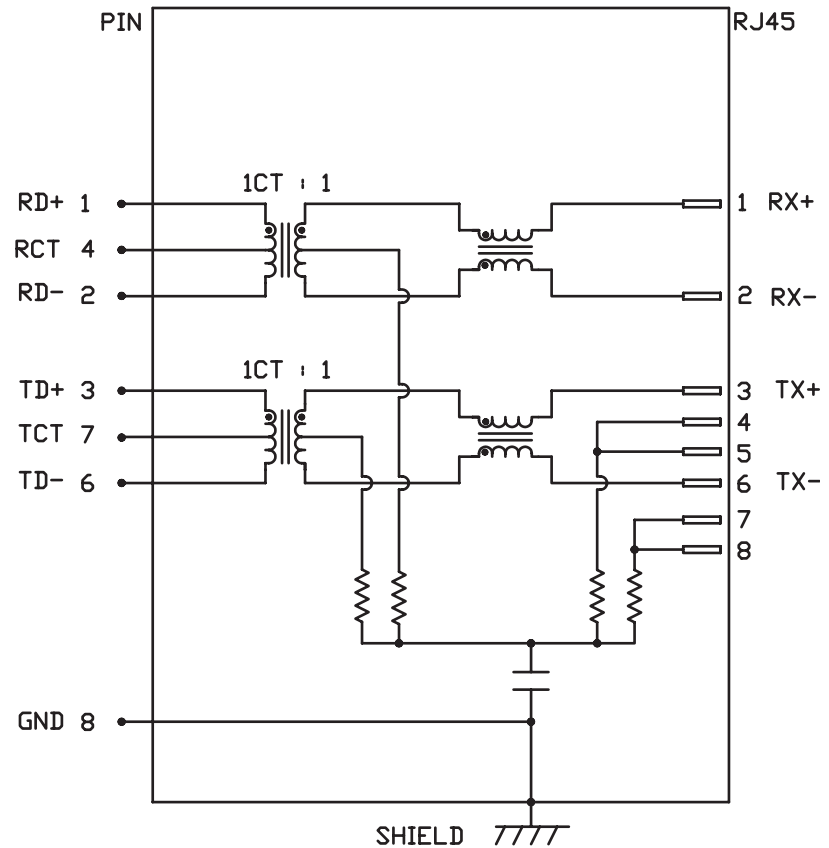
# INTEGRATED CONNECTOR MODULES

0811-2X4R-28-F 10/100Base-TX MagJack® 2 x 4



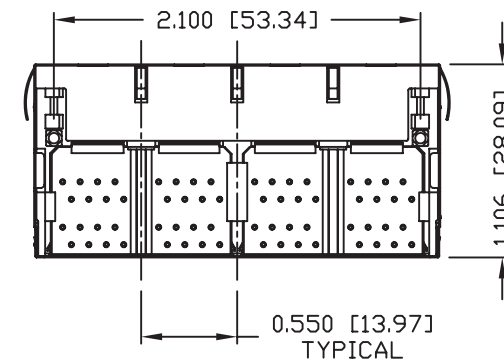
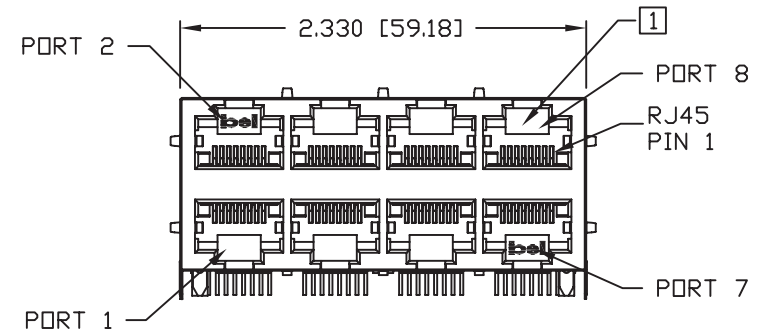
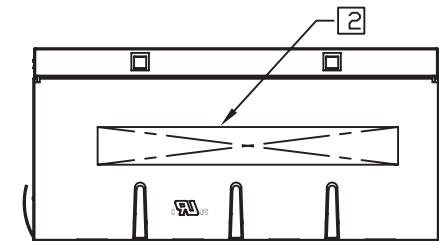
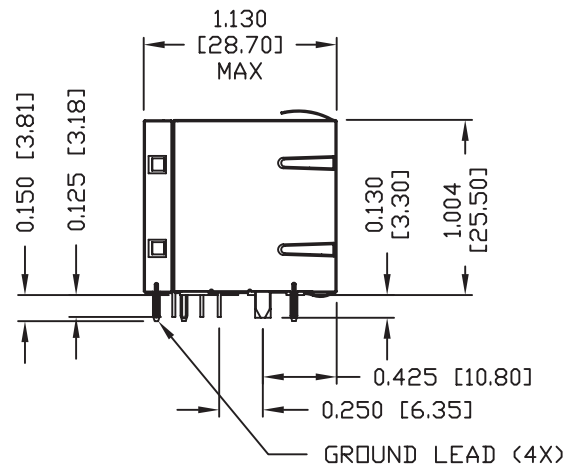
## ELECTRICAL CHARACTERISTICS @ 25°C

RETURN LOSS (MIN.)		
1MHz-30MHz	-18 dB	
60MHz-80MHz	-12 dB	
INSERTION LOSS(MAX)		
100KHz TO 100MHz	-1.1 dB	
□CL @ 0.1V, 100KHz		
8mA DC BIAS	350µH MIN.	
TURNS RATIO	1CT : 1CT ±3%	
XTALK		
100KHz TO 100MHz	-35 dB MIN.	



# INTEGRATED CONNECTOR MODULES

0811-2X4R-28-F 10/100Base-TX MagJack® 2 x 4



**NOTES:**

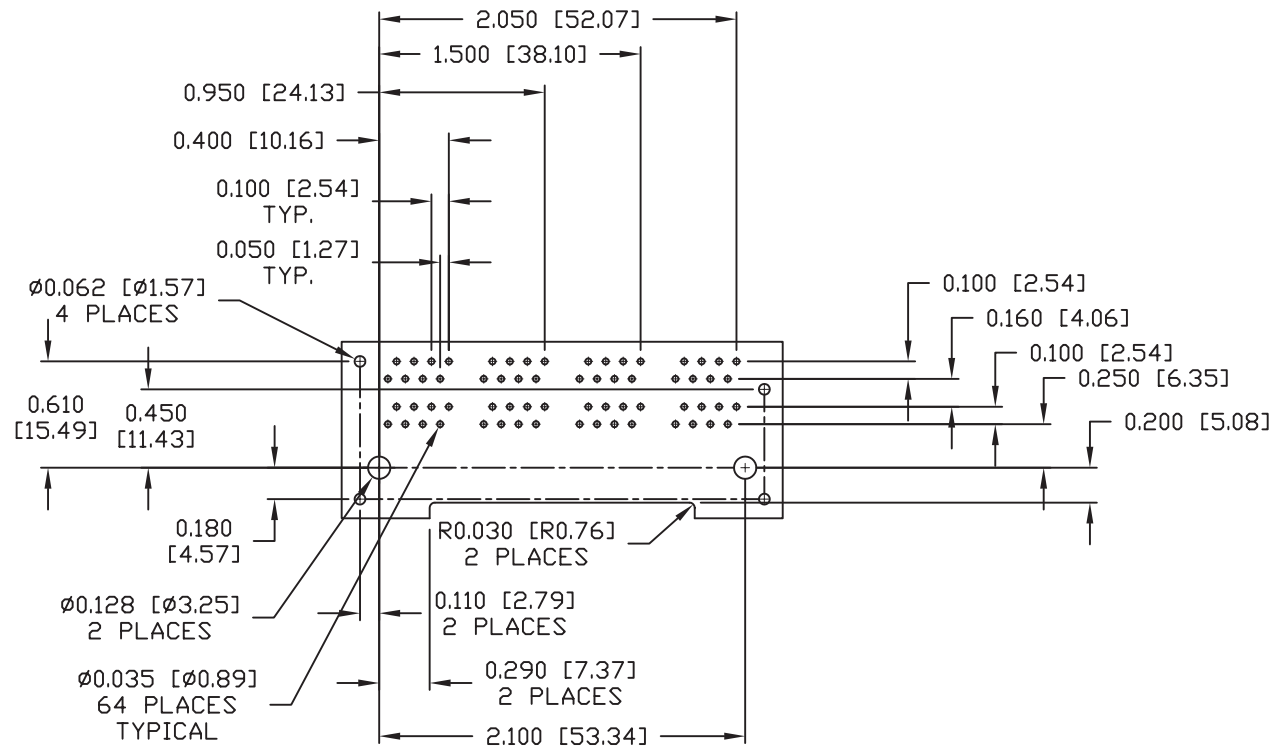
- PLASTIC HOUSING: THERMOPLASTIC PBT  
FLAMMABILITY RATING UL 94V-0
- CONTACT PLATING: 30 MICRO-INCH HARD GOLD PLATING
- OUTPUT PINS: TIN-COATED COPPER WIRE, DIA 0.018 INCH.
- METAL SHIELD: NICKEL PLATED COPPER ALLOY. (ALL GROUND LEADS ARE SOLDER DIPAD)
- RoHS COMPLIANCE, PER EU DIRECTIVE 2002/95/EC.

- 1. JACK CAVITY CONFORMS TO FCC RULES AND REGULATIONS, PART 68 SUBPART F.
- 2. MARK PART WITH MFG LOGO, MFG NAME, PART NUMBER, AND DATE CODE.

us UL RECOGNIZED - FILE #E196366 AND E169987.

# INTEGRATED CONNECTOR MODULES

0811-2X4R-28-F 10/100Base-TX MagJack® 2 x 4



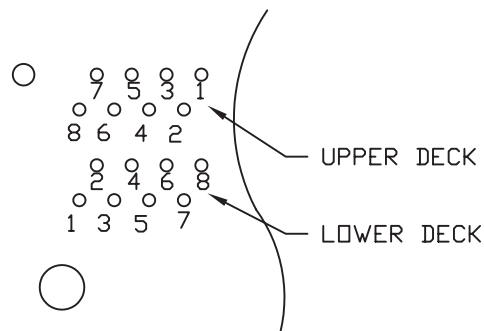
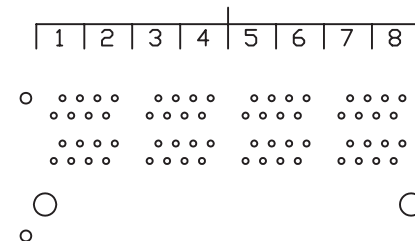
SUGGESTED FOOTPRINT  
(COMPONENT SIDE VIEW)

# INTEGRATED CONNECTOR MODULES

0811-2X4R-28-F 10/100Base-TX MagJack® 2 x 4

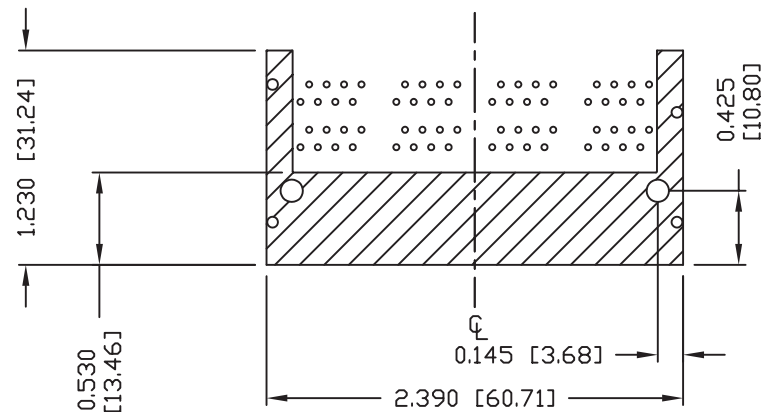


PORT ASSIGNMENT  
(COMPONENT SIDE VIEW)



PIN-OUT INFORMATION  
(COMPONENT SIDE VIEW)

8	GND
7	TCT
6	TD-
5	NC
4	RCT
3	TD +
2	RD -
1	RD +



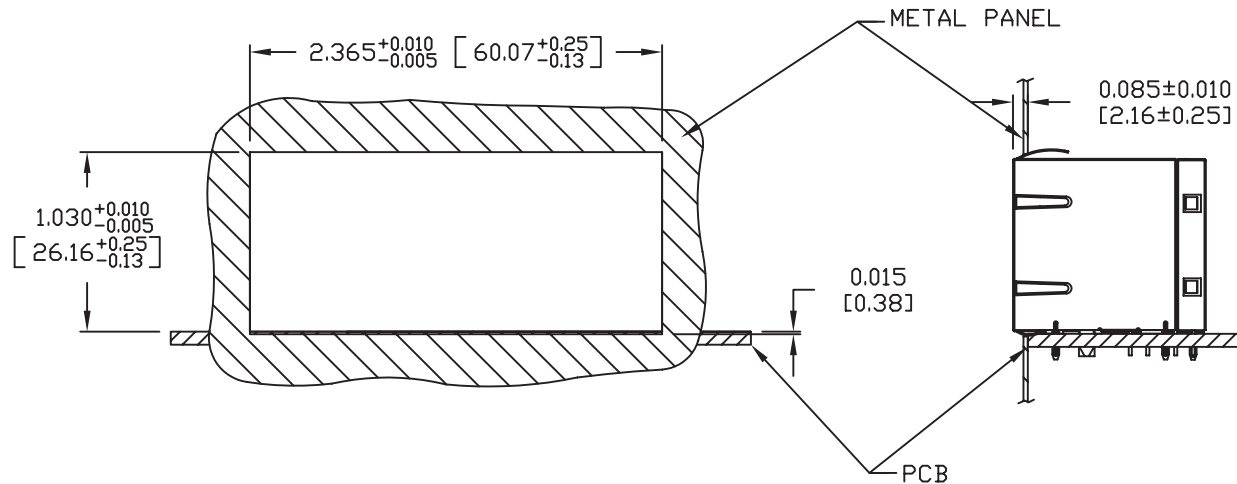
THE SHADED AREA ON THE CUSTOMER BOARD ARE RECOMMENDED TO BE CLEAR OFF ANY VIA HOLE OR COMPONENT PAD.

# INTEGRATED CONNECTOR MODULES

0811-2X4R-28-F 10/100Base-TX MagJack® 2 x 4



## SUGGESTED PANEL DANING



### NOTES:

THE DISTANCE OF PANEL INSIDE SURFACE RELATIVE TO FRONT SURFACE OF PART IS ONLY A SUGGESTION. IN CASE THIS DISTANCE IS DIFFERENT, THE REQUIRED PANEL DANING DIMENSIONS CHANGE ACCORDINGLY.

### PACKING INFORMATION

PACKING TRAY : 0200-0148-46 (TOP)

0200-0148-47 (BOTTOM)

PACKING QUANTITY : 20 PCS FINISHED GOODS AR TRAY.

7 TRAYS (140 PCS FINISHED GOODS) AR CARTON BOX.

NOTE : CARDBOARDS ARE PLACED BETWEEN LAYERS OF PACKING TRAY INSIDE CARTON BOX.  
(INCLUDE THE UPARMOST AND LOWERMOST TRAY)